

GR6150-2900

**Maxium Reach:2900 mm /
Hollow Wrist / Max Payload:15 kg**

Highlights

Large hollow wrist with possibility of paint pipeline arranged in the wrist, convenient integration;
Supports aux axis;
Standard painting application software, built-in I/Os, easy integration, simple programming;
ATEX explosion-proof certification of China and Eu, can be used in zone 1 gas and zone 21 dust dangerous operation environment.

Applications

Specially designed for painting applications in automotive industries: such as BIW, bumpers;
Also can be used for container, engineering vehicles and other large workpiece painting.

Industries

Suitable for automobile and auto parts, tricycle and other industries.



EFORT Intelligent Robot Co., Ltd.

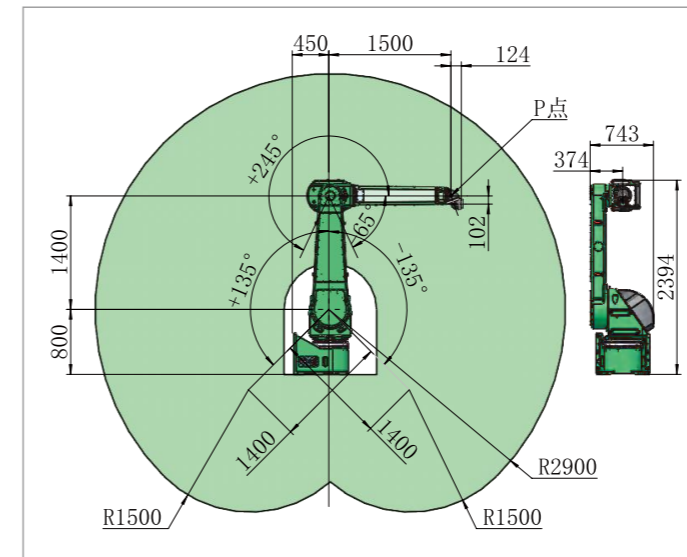
PHONE: (00 86) 400-052-8877
ADDRESS: No. 96, Wanchun East Road, Wuhu, China
(Anhui) Pilot Free Trade Zone
WWW.EFORT.COM.CN

EFORT

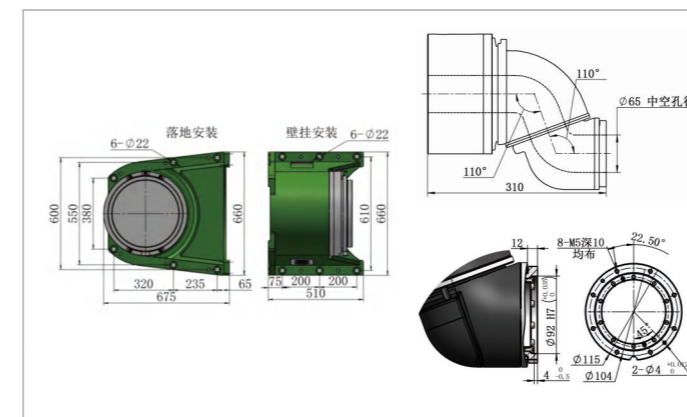
SPECIFICATIONS

Max. Payload on Wrist	15 kg		
Reach	2900 mm		
Repeatability	±0.15 mm		
Motion Range & Maximum Speed	Motion Range	Maximum Speed	
	J1	±160°	100°/sec
	J2	±135°	100°/sec
	J3	-65°/+245°	120°/sec
	J4	±540°	360°/sec
	J5	±540°	420°/sec
Allowable Load Moment at Wrist	J4	44.2 N·m	
	J5	28.8 N·m	
	J6	15.1 N·m	
Allowable Load Inertia at Wrist	J4	1.17 kg·m ²	
	J5	0.87 kg·m ²	
	J6	0.15 kg·m ²	

OPERATING SPACE



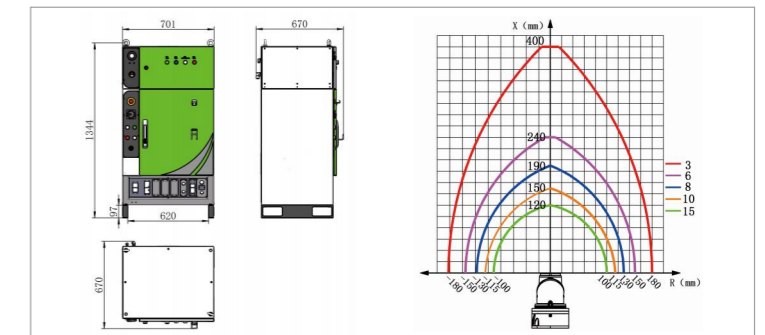
BASE& END FLANGE MOUNTING SIZE



GR-Series Painting Robot

Structure	6-Axis Series Structure	
Installation	Floor,Upside-down,Wall,Angle mount	
IP Grade	Robot	IP 65
	Cabinet	IP 54
Explosion-Proof	Gas	Ex db ib pxb IIC T4 Gb
	Dust	Ex ib pxb tb IIIC T135°C Db
Environment Requirements	Voltage	AC400V(±10%)
	Power Capacity	11 kVA
	Temperature	0-45 °C
Arm Payload	Humidity	RH≤80% (No Condensation)
	Outer Arm	15 kg
Weight	Inner Arm	15 kg
	Robot	650 kg
	Cabinet	160 kg

CONTROL CABINET SIZE&WRIST END LOAD MAP



SELECTION&CONFIGURATION TABLE

Item	Standard	Optional
Driver	6 Axes	6+2 Axes
Connector Cable	Static:8 m	Max:30 m
	/	Towing Cable:Max 30 m
Pendant	8 m	Max:30 m
DI/DO	16/16	/
AI/AO	/	Customized:Max 4
Communication Mode	Ethercat	ProfiNet CClink
Memory Capacity	1GB	/
Connector	Ethercat network port	/
Software Package	Painting Package	/
Belt Tracking	/	Optional
Color	RAL6018	Customized

*The final interpretation right belongs to EFORT Intelligent Robot Co., Ltd. Any updates will be made without prior notice.

Information Release Time 2025/12